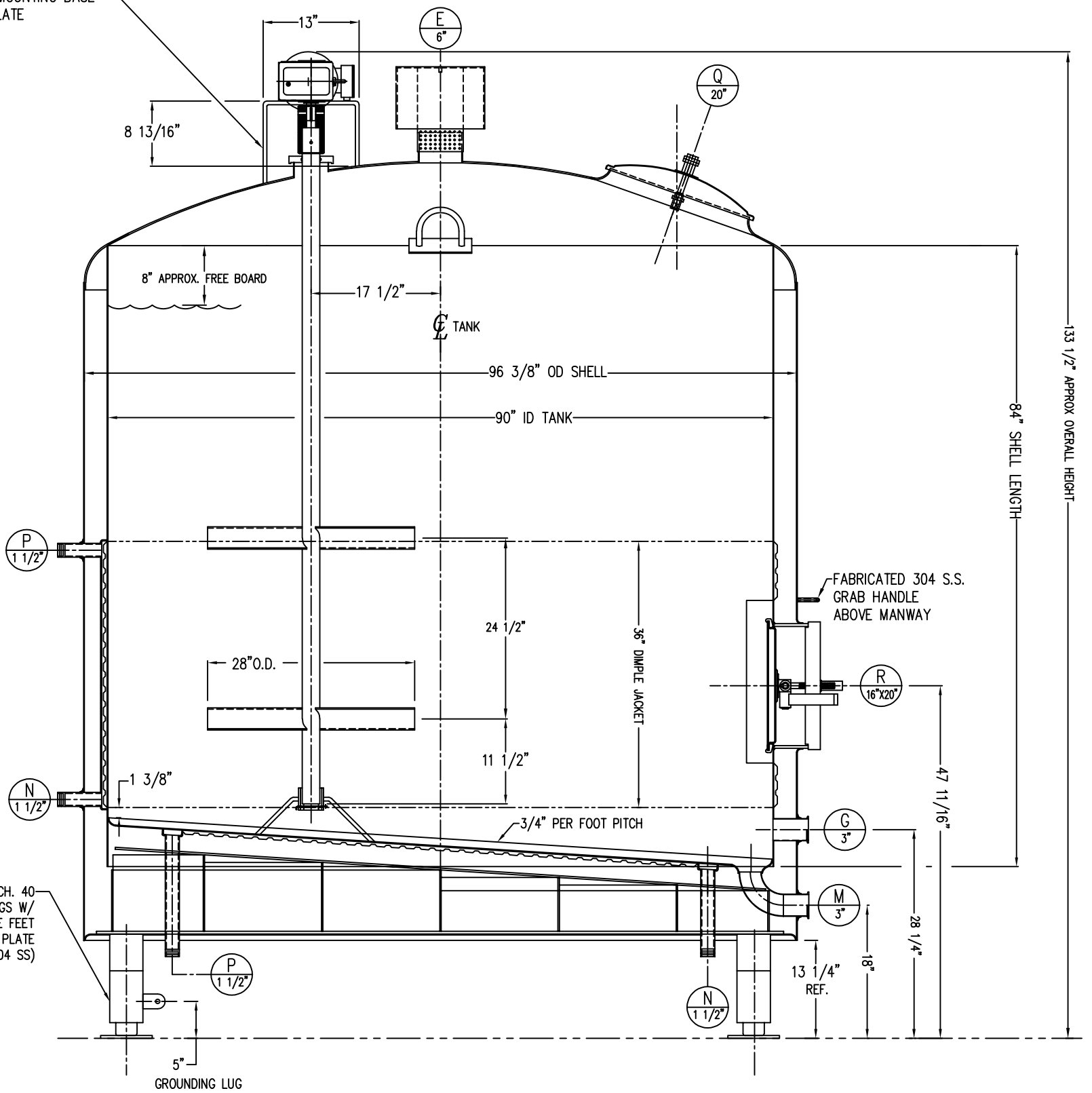


GEAR MOTOR MOUNTING BASE
1/2" X 8" PLATE



ELEVATION VIEW
SEE PLAN VIEW FOR TRUE ORIENTATION

REV A

- REVISED ORIENTATIONS
- ADDED NOTES 11, 12 & 13.
- MOVED ITEM "K"

DESCRIPTION

DATE

01-20
00

FILE NAME: \DWGS\ S523C99 P.O. No. 206335

FELDMEIER EQUIPMENT
Syracuse, New York

DRAWN BY: DRH ENGRG. Approved By AI

DATE 12-16-99 QTY: (1) 2,000 GALLON VERTICAL, INSULATED, STAINLESS STEEL 'GVF' BATCH TANK TAG# HBT-1

REV A SHEET: 3 of 4

SLIM-FAST NUTRITIONAL FOODS, L.L.C. 2000 HIGHWAY 51 NORTH, COVINGTON, TN. 38019

DRAWING NO. S52399

133 1/2" APPROX OVERALL HEIGHT

84" SHELL LENGTH