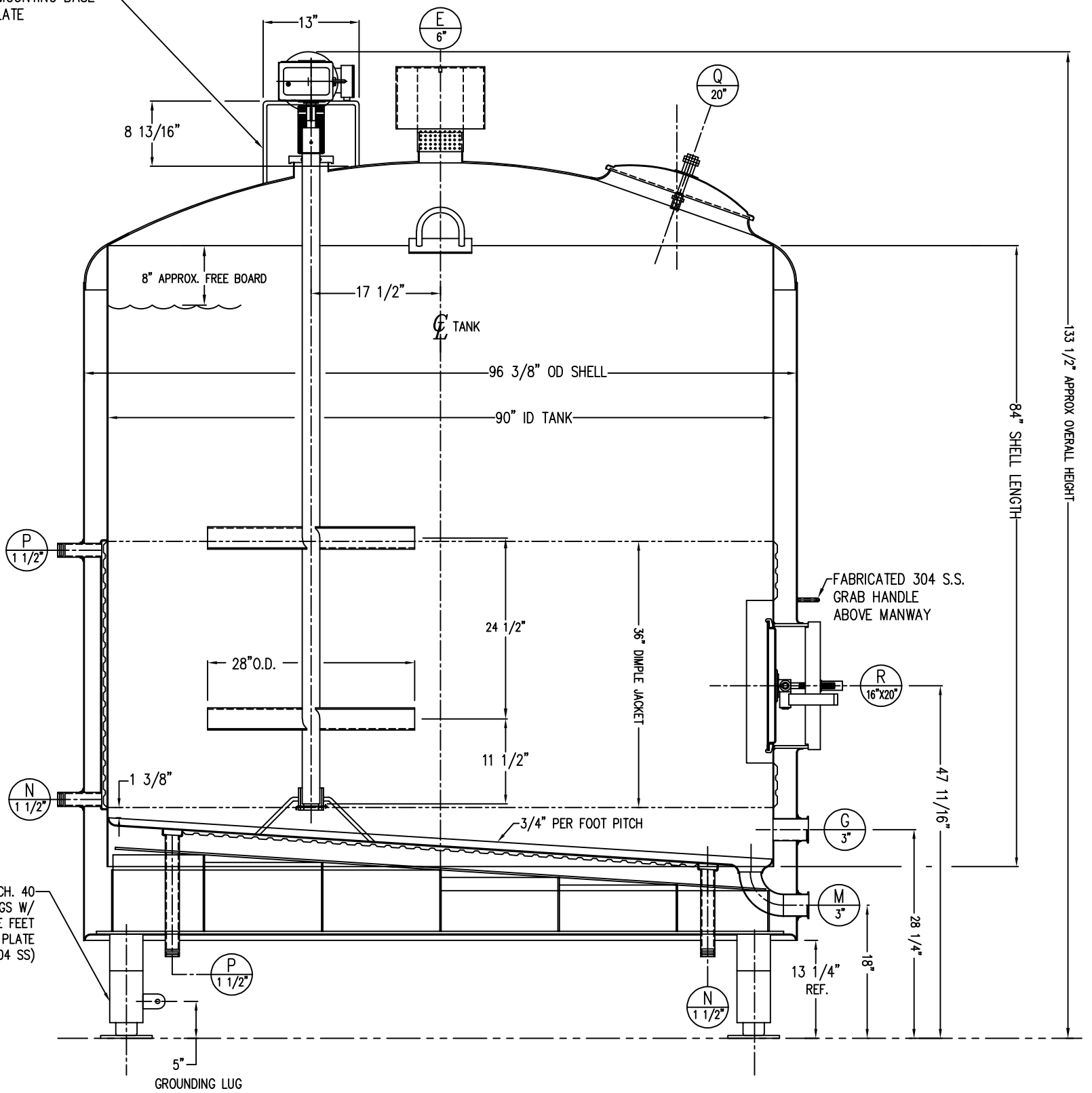


GEAR MOTOR MOUNTING BASE
1/2" X 8" PLATE



ELEVATION VIEW
SEE PLAN VIEW FOR TRUE ORIENTATION

REV	DESCRIPTION
A	- REVISED ORIENTATIONS - ADDED NOTES 11, 12 & 13. - MOVED ITEM "K"

DESCRIPTION

DATE 01-20-00

FILE NAME: \DWGS\ S522C99	P.O. No. 206335
FELDMEIER EQUIPMENT Syracuse, New York	
DRAWN BY: DRH	ENGRG. Approved By AI
DATE 12-16-99	REV A
QTY: (1) 2,000 GALLON VERTICAL, INSULATED, STAINLESS STEEL 'GVF' BATCH TANK TAG# HBT-2	
SLIM-FAST NUTRITIONAL FOODS, L.L.C. 2000 HIGHWAY 51 NORTH, COVINGTON, TN. 38019	DRAWING NO. S52299
SHEET: 3 of 4	

133 1/2" APPROX OVERALL HEIGHT

84" SHELL LENGTH