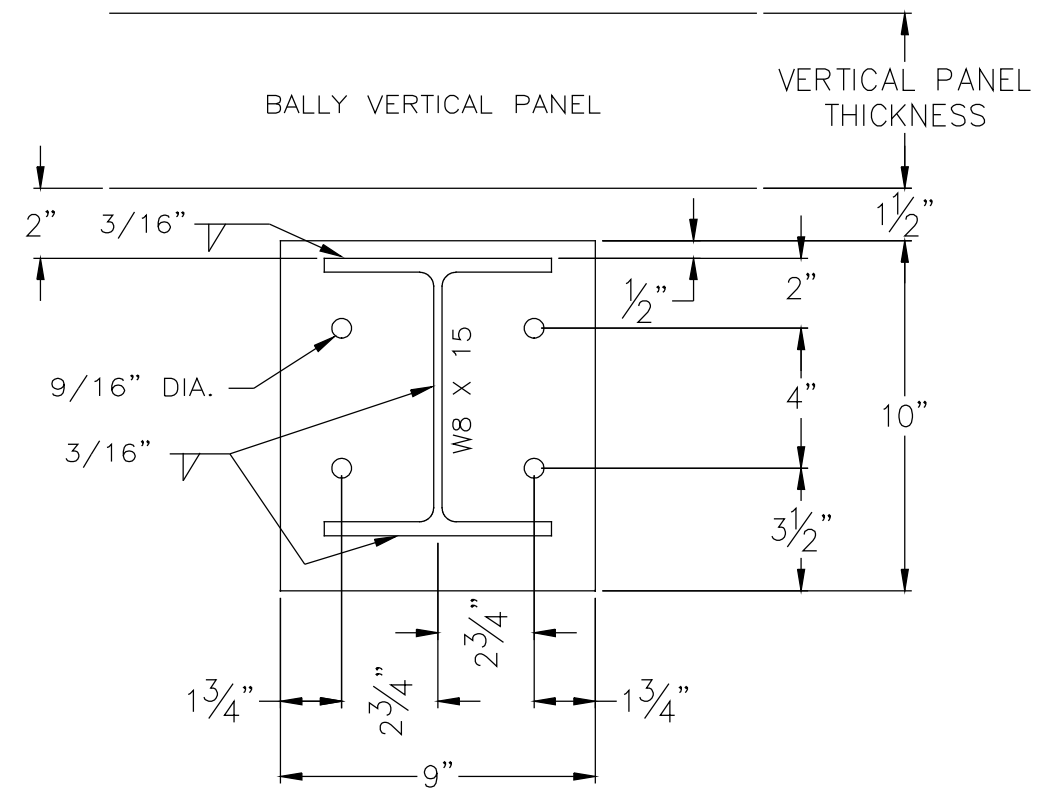
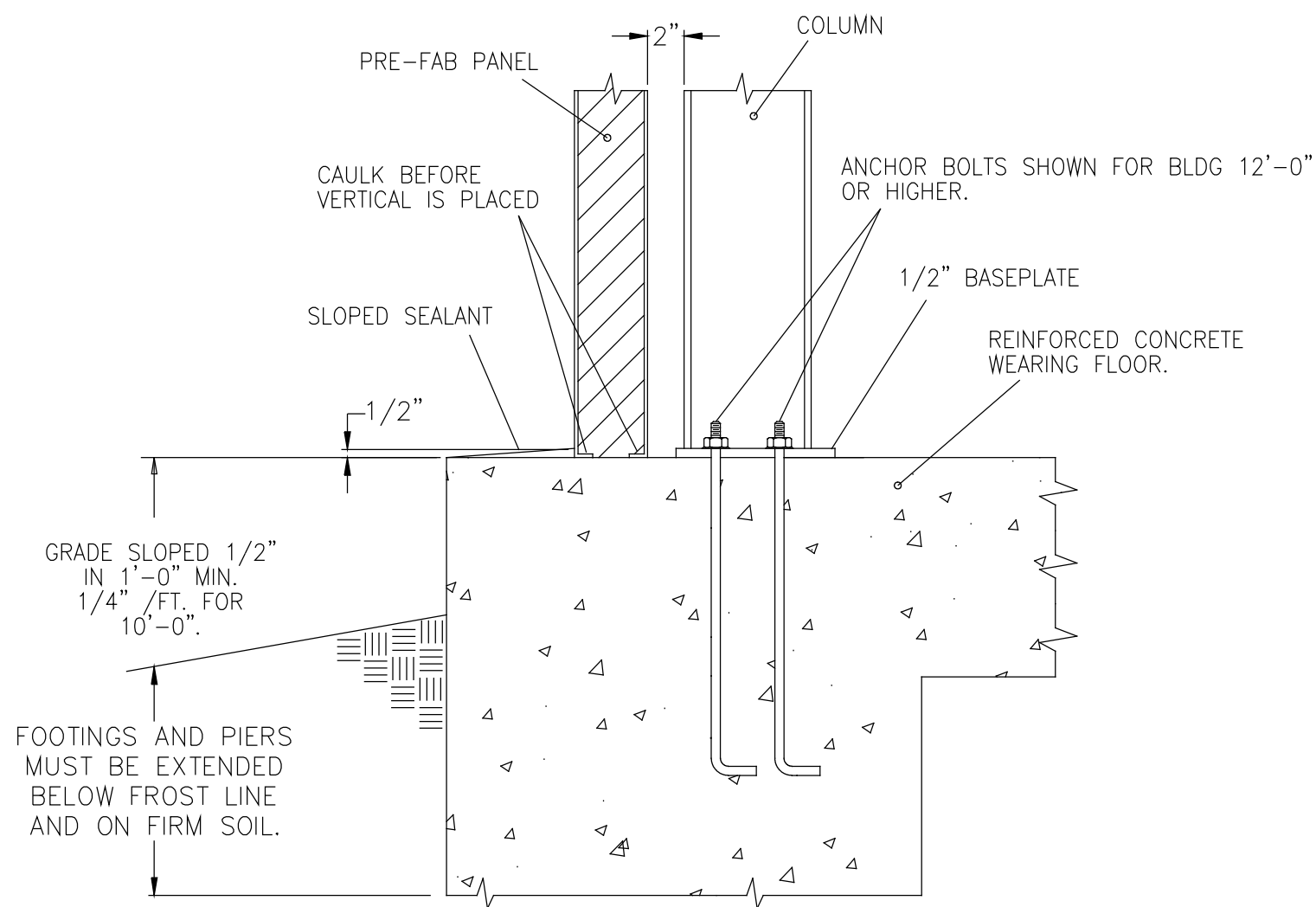


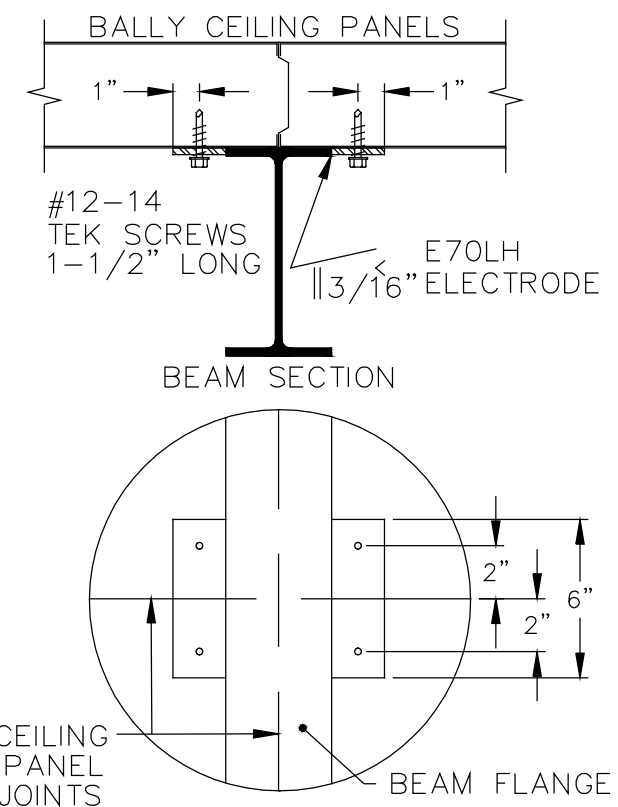
MOMENT CONNECTION
END PLATE DETAIL



COLUMN DETAIL



— STEEL ANCHORING DETAIL —
NON REFRIGERATED BLDG



RA-1
CEILING ANCHOR DETAIL
1/4" x 2" x 6" LONG (1/4" Ø HOLES)
(SPACED EVERY 23" OR 46" O.C.)

RESTRICTED, CONFIDENTIAL DOCUMENT.

THIS DRAWING AND ALL INFORMATION SHOWN HEREON ARE THE EXCLUSIVE PROPERTY OF BALLY REFRIGERATED BOXES INC. ARE SUBMITTED ONLY ON A CONFIDENTIAL BASIS. THE RECIPIENT AGREES NOT TO REPRODUCE THE DRAWING, TO RETURN IT UPON REQUEST, AND THAT NO DISCLOSURE OF THE DRAWING OR THE INFORMATION SHOWN HEREON WILL BE MADE TO A THIRD PARTY WITHOUT PRIOR WRITTEN CONSENT FROM BALLY REFRIGERATED BOXES INC.

SIGNED APPROVAL

SIGNED _____
DATE _____

PLEASE READ

THIS DRAWING HAS BEEN CAREFULLY CHECKED BY OUR DRAFTING DEPARTMENT. HOWEVER, ERRORS OF INTERPRETATION CAN OCCUR. THEREFORE, BEFORE YOU RETURN DRAWING MARKED "APPROVED", BE CERTAIN THAT YOU CHECK THEM CAREFULLY.

NOTE - THIS ORDER WILL NOT BE SCHEDULED FOR PRODUCTION UNTIL RECEIPT OF APPROVED DRAWINGS BY BALLY.

IMPORTANT - PLEASE READ

THESE DRAWINGS ARE NOT TO BE CONSIDERED AS APPROVED BY LOCAL OR STATE BUILDING AUTHORITIES.

THEY HAVE BEEN PREPARED SOLELY FOR THE GUIDANCE OF REGISTERED ARCHITECTS AND ENGINEERS AND FOR THE ASSISTANCE OF LOCAL INSTALLERS. IT IS THE RESPONSIBILITY OF THE PROJECT ARCHITECT OR ENGINEER TO ASSURE THE BUILDING DESIGN MEETS LOCAL CODE REQUIREMENTS. THIS INCLUDES STRUCTURAL DESIGN AS WELL AS ANY WORK PERFORMED BY THE GENERAL CONTRACTOR. BALLY REFRIGERATED BOXES INC. IN PREPARING THESE DRAWINGS AND SPECIFICATIONS, DOES NOT ASSUME ANY RESPONSIBILITY FOR THE SUCCESSFUL COMPLETION OR USAGE OF THE STRUCTURE DESCRIBED.

THE DRAWINGS AND SPECIFICATIONS DESCRIBE A BUILDING ASSEMBLED FROM BALLY PANELS INSULATED WITH URETHANE, "FOAMED-IN-PLACE". THE SIZE AND SHAPE IS THAT WHICH MOST CLEARLY MEETS DIMENSIONS SUBMITTED BY THE USER.

BALLY REFRIGERATED BOXES INC., PROVIDES PANELS FREQUENTLY SPECIFIED BY OTHERS, AND IS NOT RESPONSIBLE FOR THE SELECTION OR RECOMMENDATION BY OTHERS OF THE PANEL FINISH FOR ANY BUILDING OR WALK-IN APPLICATION.



BALLY (NC OFFICE)
135 LITTLE NINE DRIVE
MOREHEAD CITY, NC 28557
PHONE: (252) 240-2829
FAX: (252) 240-0384

BALLY (PA OFFICE)
20 NORTH FRONT ST. (SUITE 8)
BALLY, PA 19503
PHONE: (610) 702-2210
FAX: (610) 702-2211

FOR

CLOVER WAREHOUSE
LOADING DOCK

DRAWING NUMBER	2202594FC	DATE	04/25/22
DRAWN BY	RJC	ORDER NUMBER	2202549
LBL'D BY	DATE LBL'D	CHK'D BY	

REV	DESCRIPTION	BY	DATE