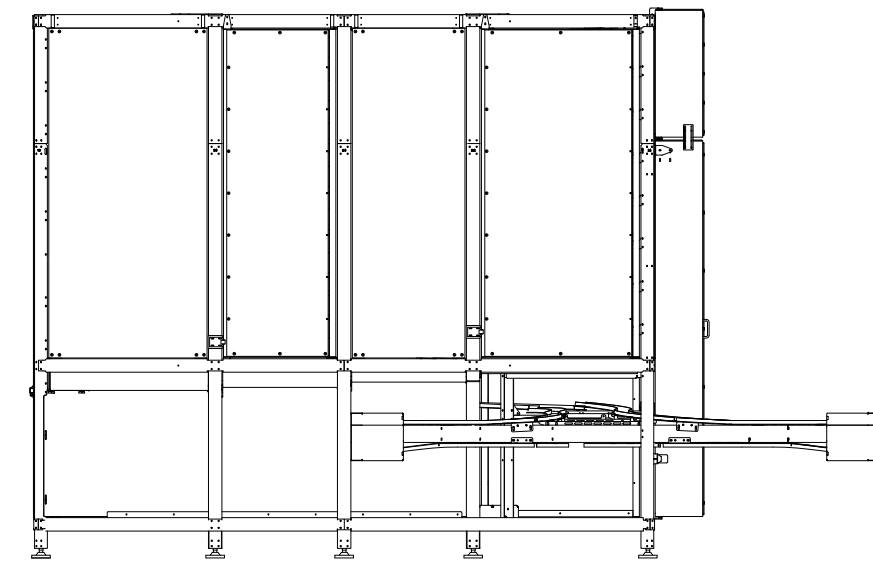
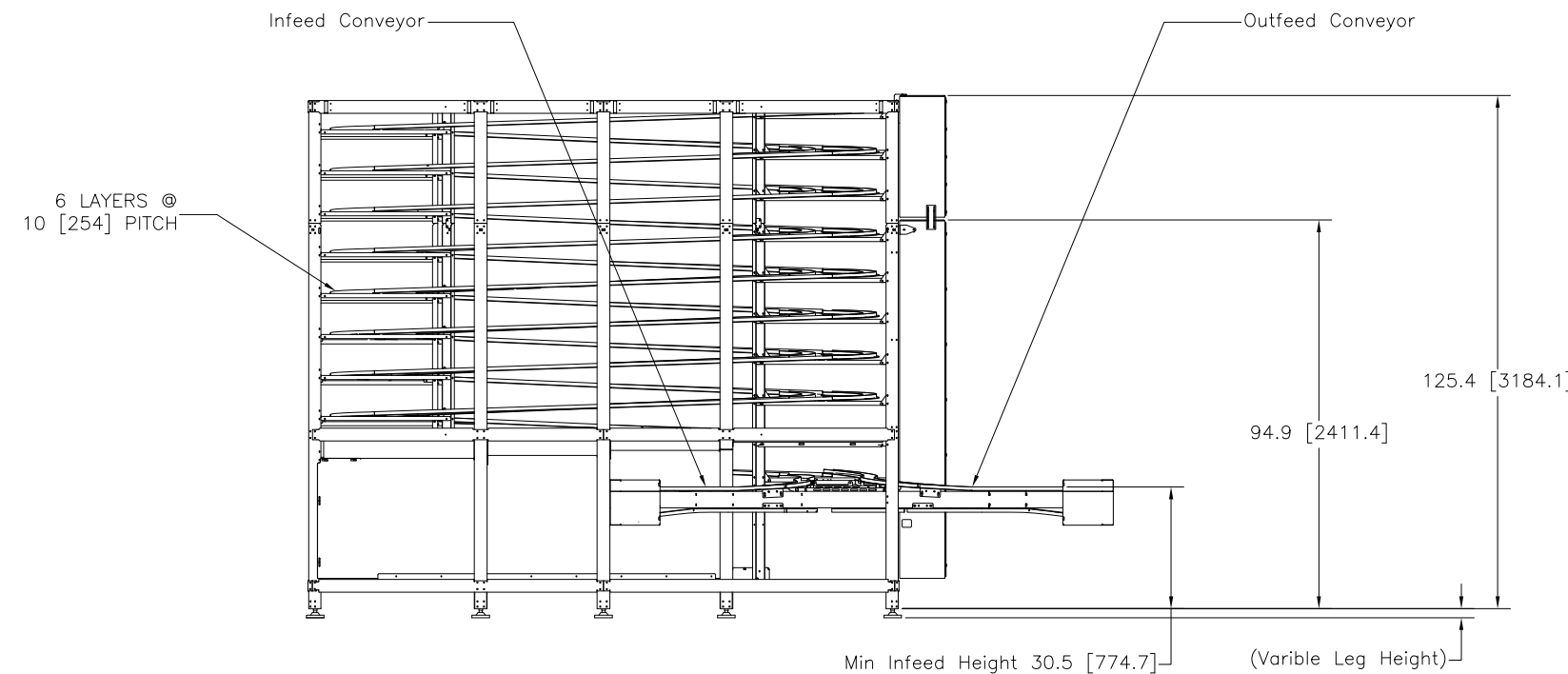
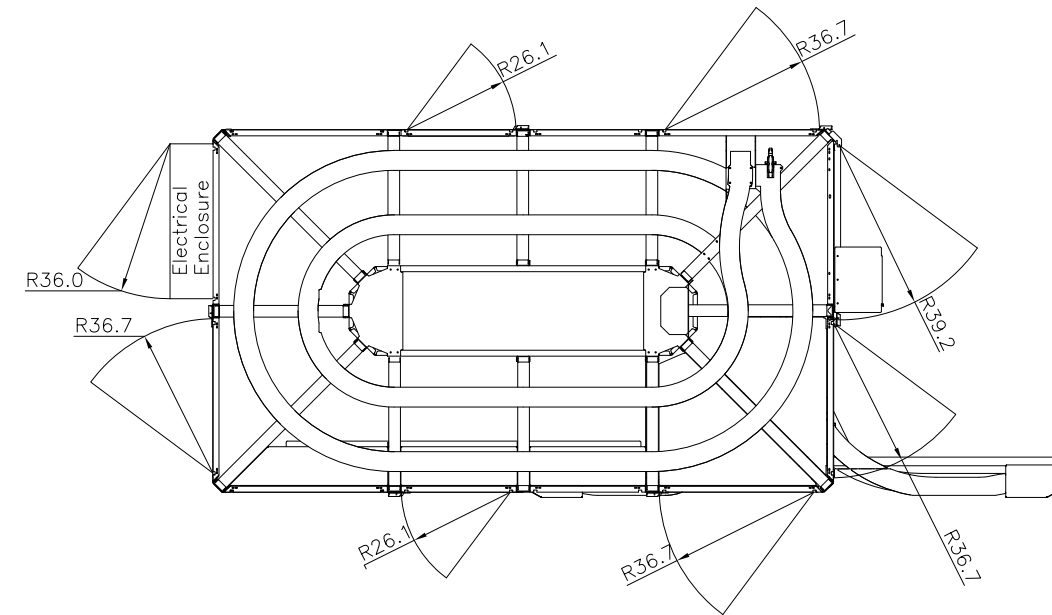
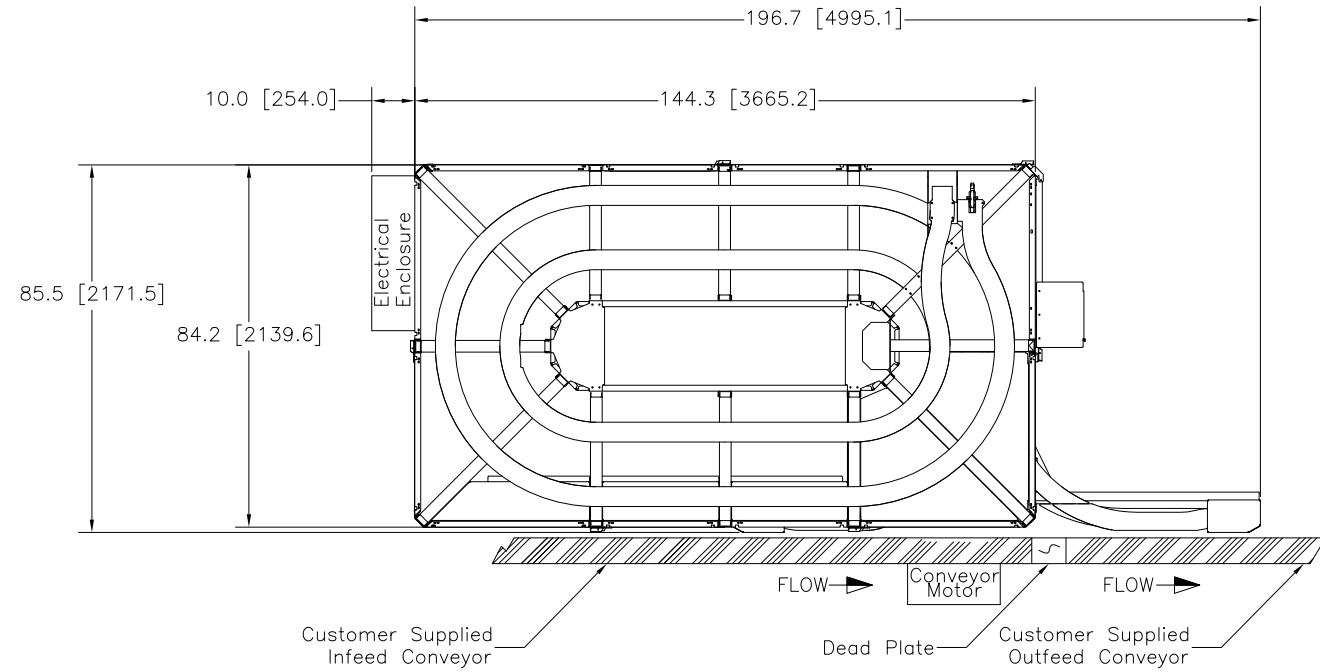


MACHINE PITCH	10"
BASE MACHINE #LAYERS	6
PRODUCT CLEARANCE HEIGHT (in)	6.75
ACCUMULATION (ft)	293
EXTENSION #LAYERS	3
ACCUM WITH EXTENSION (ft)	439

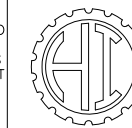
ITEM	PART NO. LH	PART NO. RH	SHT	QTY	PART DESCRIPTION AND/OR MATERIAL
------	-------------	-------------	-----	-----	----------------------------------



REV	REVISION DESCRIPTION	ECO NO.	DATE	BY	CHK

UNSPECIFIED TOLERANCES	
INCHES	[MM]
.0 ± .015	[0.38 mm]
.00 ± .010	[.254 mm]
.000 ± .005	[.127 mm]
FRACTIONAL ± 1/64	
ANGULAR ± 1/2°	
√ 125 (UNLESS OTHERWISE NOTED)	
DEBUR AND REMOVE ALL SHARP EDGES	

THIS DOCUMENT IS THE PROPERTY OF, AND CONTAINS PROPRIETARY INFORMATION OWNED BY HARTNESS INTERNATIONAL, INC. AND/OR ITS SUBCONTRACTORS AND SUPPLIERS. IS TRANSMITTED TO YOU IN CONFIDENCE AND TRUST, AND IS TO BE RETURNED UPON REQUEST. NO PERMISSION IS GRANTED TO PUBLISH, USE, REPRODUCE, TRANSMIT OR DISCLOSE TO ANOTHER ANY INFORMATION CONTAINED IN THIS DOCUMENT, IN WHOLE OR IN PART, WITHOUT THE PRIOR WRITTEN PERMISSION OF AN AUTHORIZED EMPLOYEE OF HARTNESS INTERNATIONAL.



HARTNESS INTERNATIONAL, INC.
P.O. BOX 26509 1200 CARLINGTON ROAD
GREENVILLE SOUTH CAROLINA 29616 USA
PHONE: (864) 297-1200

NETWORK NODE:	CAD FILENAME: V:\Dyna\Proposal dwgs\64\P-1794.dwg SIZE: D
SCALE: NONE	DRAWING STATUS: CURRENT
DATE: 02/26/02	REPLACED BY:
W/O #:	TITLE: Model 6400 Compact
ECO NO#:	SURFACE ROUGHNESS
DWN. BY: BMCCAUSEY	SURFACE TREATMENT
CHK. BY:	

MATERIAL	ORIENTATION	DRAWING NO.

REVISION:	LOCATION: CA	SHEET NO#: 1 OF 1
-----------	--------------	-------------------

P-1794